

# Severe Environment Lockout Kit

Models: T300, T350, T500, T600 and Speed Scrub 350



This kit includes the necessary parts to lockout an operator from adjusting the Severe Environment detergent mixing ratio knob.

## INSTALLATION INSTRUCTIONS:

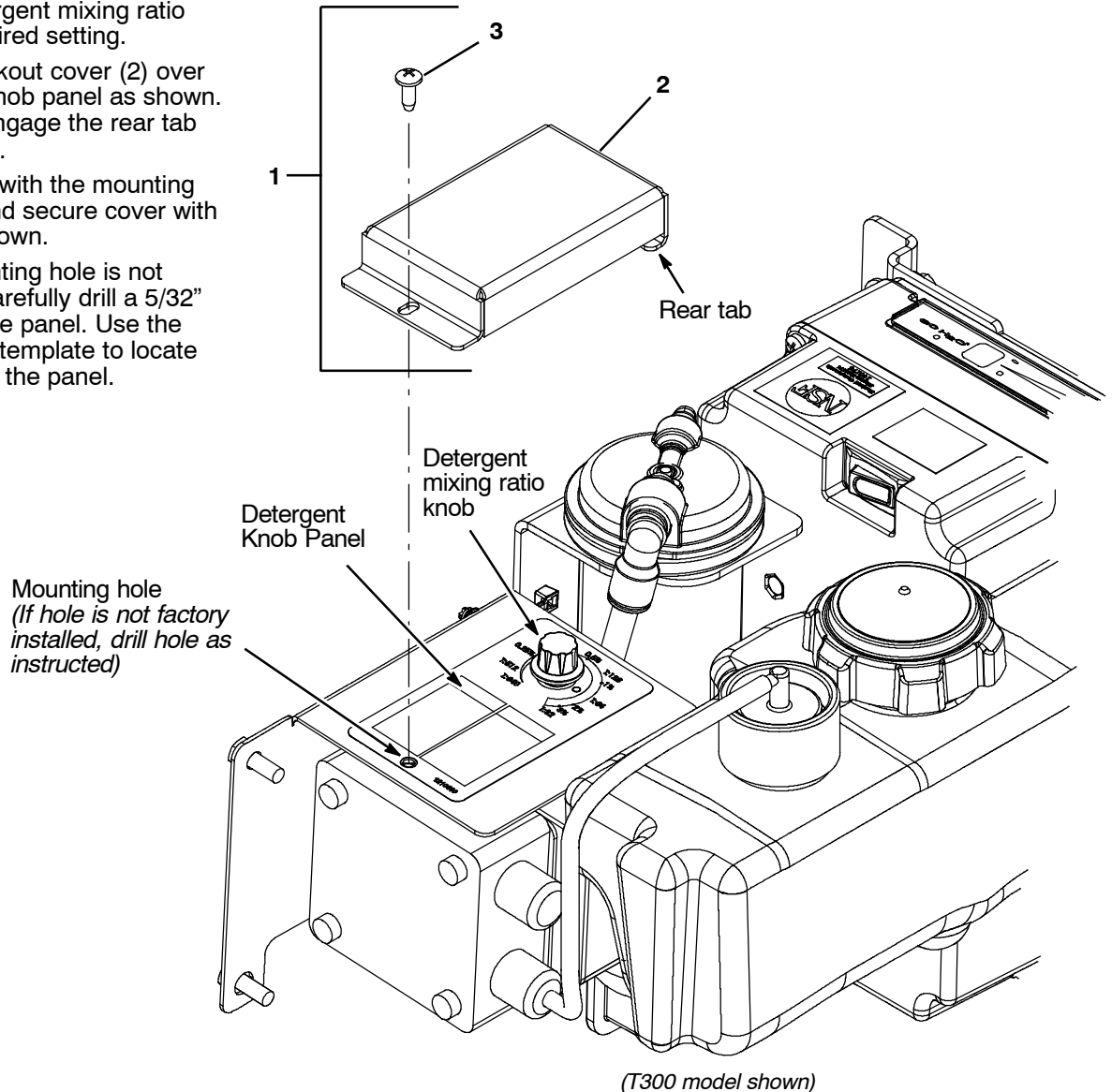
**FOR SAFETY:** Before installing kit, park machine on a level surface and remove key .

**Installation Time:** 0.5 Hours

**Tools Required:** Power Drill, 5/32"/4mm Drill Bit and Phillips Screwdriver.

1. Adjust the detergent mixing ratio knob to the desired setting.
2. Position the lockout cover (2) over the detergent knob panel as shown. Make sure to engage the rear tab under the panel.
3. Align the cover with the mounting hole in panel and secure cover with screw (3) as shown.

**NOTE:** If the mounting hole is not factory installed, carefully drill a 5/32" (4 mm) hole into the panel. Use the lockout cover as a template to locate the hole position in the panel.



## LOCKOUT KIT PARTS LIST

Ref.	Part No.	Description	Qty.
1	9017884	Lockout Kit, Severe Environment	1
2	1239732	Cover, Knob, Severe Environment	1
3	140350	Screw, Pan, Phl, 10- 16 x .50, ss [Typ25] Self- tapping	1